

# CVD-708 Keypad



## Purpose

CVD-708 Keypad is intended to transfer the ID code from proximity-card or from keyboard to AMCS controller.

Application of physical identifiers such as proximity cards as well as codes at the same time drastically increases security level and eliminates risk of access by stolen or lost card.

CVD-708 Keypad is incorporated in plastic case with a keyboard and LED access indicator.

CVD-708 is fully compatible with CVD-407K, CVD-405K, CVD-406K, CVD-410K, SB407, SB408, SB409, SB410 by Divisus LLC.

## Application

CVD-708 is applied to equip access points (authentication terminals, checkpoints) in access management and control systems as well for dis/arming fire and burglar alarm.

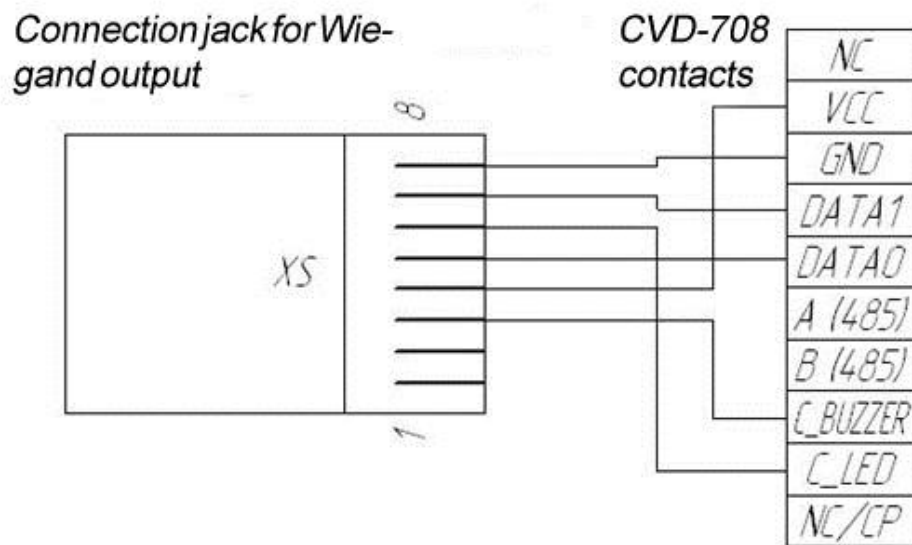
CVD-708 is included in «Divisus Complex» integrated security system.

## Specification

Name	Value
Frequency, KHz	125
Identifiers	Em - Marin
Reading distance, cm	10-15 (depends on identifier)
DC voltage, V	12 ± 10%
Max input current, A	0,09
Max proximity-card reading time, ms	200
Information interfaces	Wiegand 26, Wiegand 40
Ingress protection	IP65
Operating temperatures, °C	from - 40 to + 50
Overall dimensions, mm	190x110x60

## Connection CVD-708 Keypad

Connection diagram for CVD-407K, CVD-405K, CVD-406K, CVD-410K, SB407, SB408, SB409, SB410 controllers:



Keypad connection to CVD-407, SB407:

